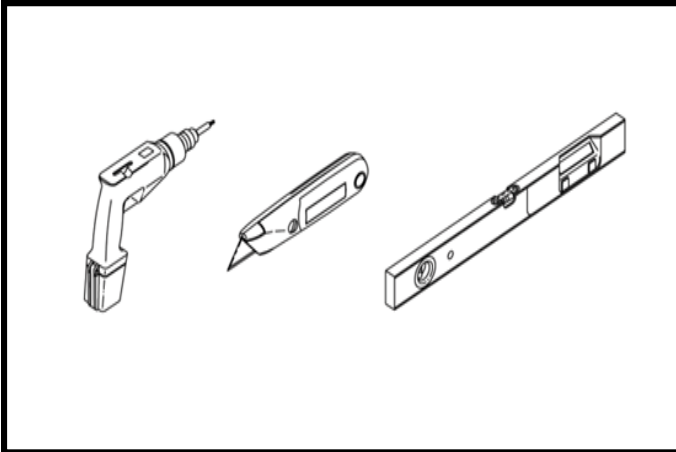
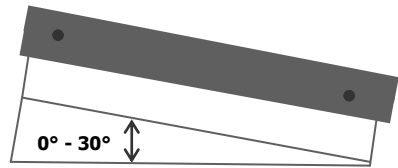


# Installation Manual - SkyVision Fixed

## Tools you need before you begin



° **Important:** If the roof pitch is less than 5°, a wedge must be built under neath the product. Max roof pitch is 30°



## How to install SkyVision Fixed

**\***

(If length and width is less than 1250mm, then diagonal measure ±1mm)  
(If length or width is bigger than 1250mm, then diagonal measure ±2mm)

