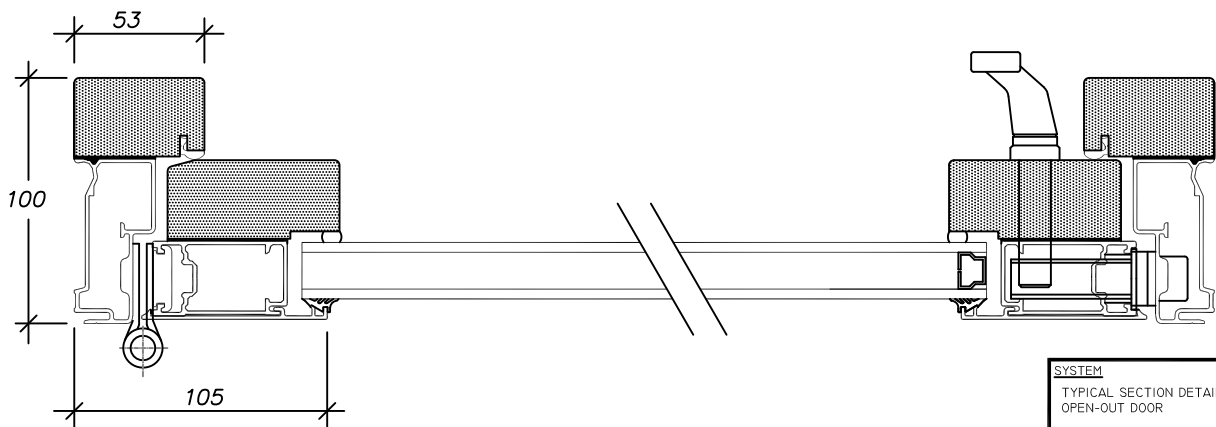
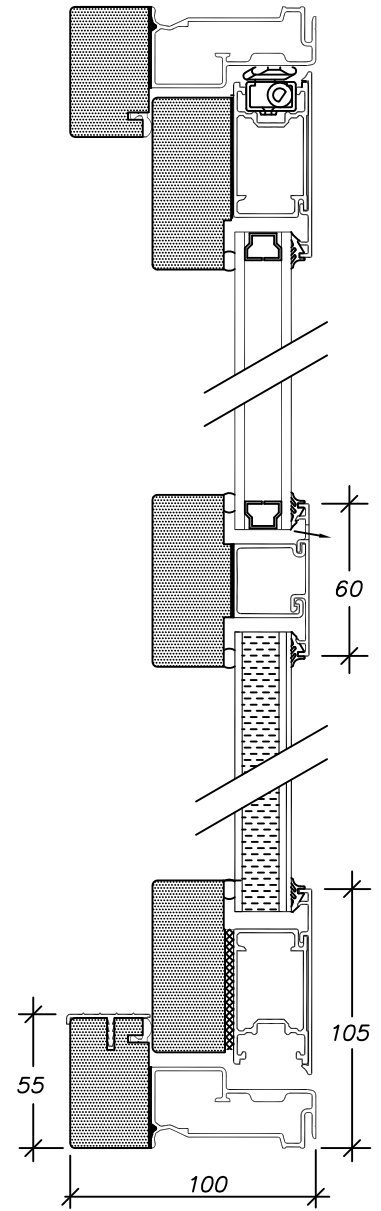


25 mm TRÖSKEL
(tillval)



SYSTEM		
TYPICAL SECTION DETAILS OPEN-OUT DOOR		
SCALE	NTS	DATE
		JULY 2016
CONTRACT	DRAWING	REV
SECTION DETAILS	HALD2 D4-15	0
		